

# Eaton 9130M UPS

1000/2000/3000 VA



Multilingual LCD

#### Advanced vessel or rig power protection for:

- Bridge systems
- Navigation systems
- Communication systems
- Small computer and automation systems



#### Double conversion UPS

##### Qualified design for marine and offshore environment

- DNV and ABS type approved UPS
- Hardened mechanical design
- Easy to install, mounting rails can be bolted or welded to the deck/bulk head or shelf
- Vibration absorbers under the cabinet

##### Maximum availability

- Double conversion on-line UPS with automatic by-pass and power factor correction
- Possibility to add more runtime at any time with up to four external hot-swappable battery modules to run systems for hours if necessary.
- Enables prolonged runtime of essential equipment during power outages by allowing for orderly, remote shutdown of non-critical systems and processes thanks to a capability to control load segments.
- Continuous power supply: Batteries can be swapped without ever having to shut down connected equipment.
- Internal automatic static bypass switch
- ABM® technology charges batteries only when necessary, preventing batteries corrosion and prolonging batteries service life by up to 50%.

##### Outstanding versatility

- Format: Compact tower format design allows installation on the deck or on shelf
- Enhanced configuration capability through easily navigated multilingual graphical display.
- Adapted for use in the ungrounded electrical distribution systems (IT mains)
- Compatible with high power factor loads: Eaton 9130M is rated for 0.9 power factor (1000 VA/900 W, 2000 VA/1800 W and 3000 VA/2700 W)
- Configurable to frequency converter operation (50 → 60Hz and 60 → 50Hz)
- Connectivity options are available for almost any network environment.



Powering Business Worldwide

# Eaton 9130M UPS

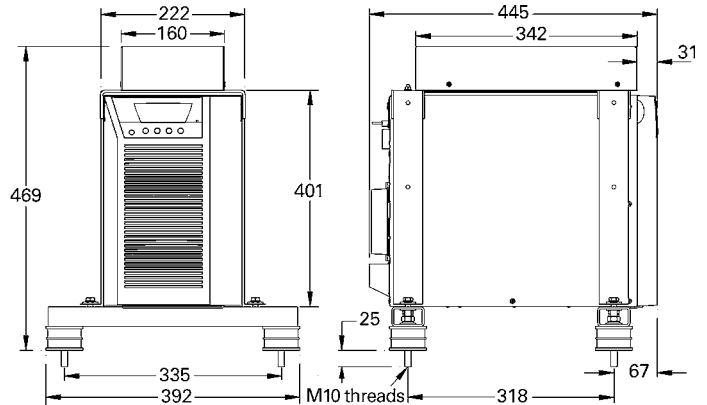
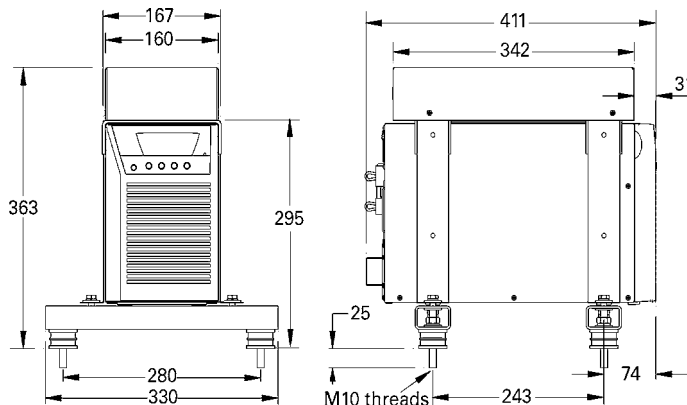


1. Multilingual graphical LCD display
2. Panel for replacing batteries
3. 1 USB port + 1 serial port
4. 1 Relay Output + 1 EPO connector
5. EBM battery unit connector
6. Load segments
7. Communication card slot

## TECHNICAL SPECIFICATIONS

General	
User interface	Graphical LCD with blue backlight and text in English, French, German, Russian and Spanish
LEDs	Four status-indicating LEDs
Topology	True online, double-conversion
Diagnostics	Full system self-test
UPS bypass	Automatic bypass
Electrical Input	
Nominal voltage	220–240V
Voltage range	up to 120-276 VAC (depending on load level)
Frequency range	40-70 Hz (50/60 Hz)
Electrical Output	
Power factor	0.9
Voltage	±3 % of nominal regulation (on utility and battery)
Frequency regulation	±3 Hz online
Load crest factor	3 to 1

Communications	
Ports	RS-232 and USB HID port as standard
Relay output	Common alarm standard
Optional communication cards (BD Slot)	SNMP/Web card for monitoring in SNMP-based networks, monitoring through Web browser interface. Relay card for integration to industrial environment and BMS, remote shutdown for IBM AS/400 systems
Environmental	
Audible noise	<50 dB
Ambient operating	0°C to +40°C
Storage temperature	-20°C to +40°C with batteries and -25°C to +55°C without batteries
Relative humidity	5–90% non-condensing
Compliance with standards	
Safety	IEC/EN 62 040-1-1
Performance	IEC/EN 62 040-3
EMC	IEC/EN62040-2, (Emissions, Category C1; Immunity, Category C2), IEC/EN 60945
Approvals	CE, GS, DNV, ABS



Description	Part number	Dimensions HxWxD*	Weight*
Eaton 9130 1kVA Marine	103007846-6591	363x330x411 mm	20 kg
Eaton 9130 2kVA Marine	103007847-6591	469x392x445 mm	33 kg
Eaton 9130 3kVA Marine	103007848-6591	469x392x445 mm	33 kg

\* with Installation kit and filter assembled

Options	Part number
9130-1kVA Marine filter	1029424
9130-2kVA Marine filter	1031246
9130-3kVA Marine filter	1029425
9130-1kVA Installation kit	1029426
9130-3kVA Installation kit	1029427
PW9130N1000T-EBM	103006438-6591
PW9130N3000T-EBM	103006440-6591
2m EBM Cable for 1kVA	152602868-001
2m EBM Cable for 2-3kVA	152602870-001
Marine UPS requires Installation kit for DNV and ABS approval and Marine filter (EMC) for IEC/EN 60945 compliance	

BATTERY RUNTIMES*	Internal batteries		+1 EBM		+2 EBMs		+3 EBMs		+4 EBMs	
	100% Load	50% Load	100% Load	50% Load	100% Load	50% Load	100% Load	50% Load	100% Load	50% Load
Eaton 9130 1000 Marine	6	19	31	68	51	111	82	192	100	246
Eaton 9130 2000 Marine	11	27	44	95	79	168	115	258	161	336
Eaton 9130 3000 Marine	6	15	21	60	51	100	66	169	93	215

\* Runtimes are shown at a 0.9 power factor. Backup times are approximate and may vary with equipment, configuration, battery age, temperature, etc.

[www.eaton.com/powerquality/marine](http://www.eaton.com/powerquality/marine)

